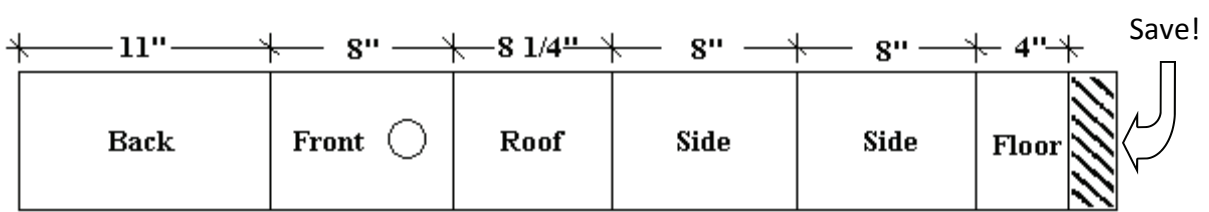
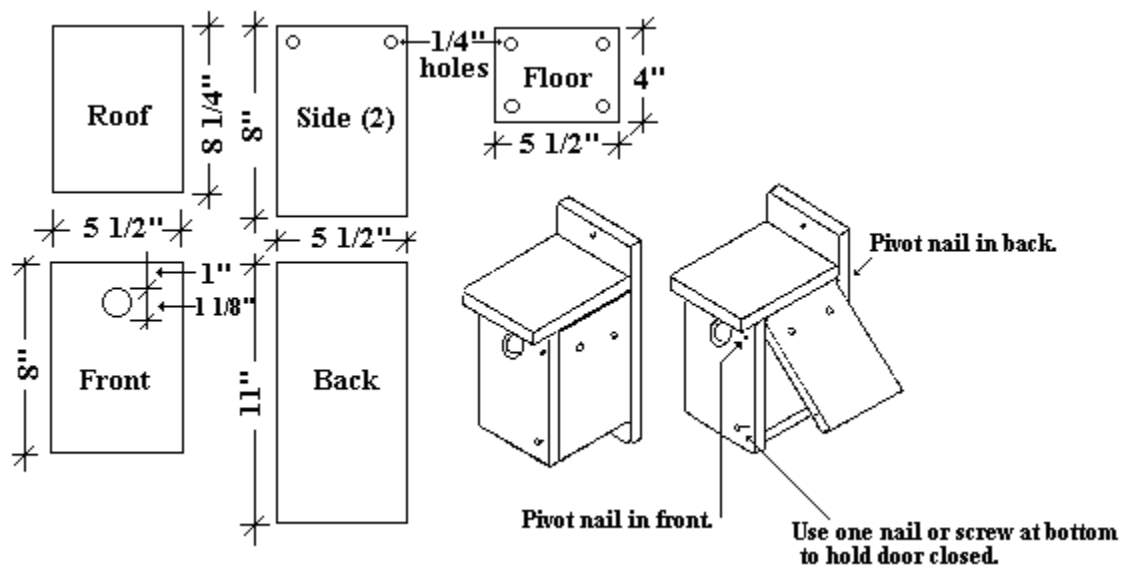


Bird House:

House Wren*,
Black-capped Chickadee*,
White Breasted Nuthatch



***Notes:**

- Entrance Hole is 1 1/8"
- Entrance Hole is 1 1/4" for a white-breasted nuthatch
- Any Entrance hole 1 1/4" will allow house sparrows in! If you only want wrens and chickadees make your entrance hole 1 1/8".



House Wren